



**PAYER
RANGE**

The UK's leading asphalt
paver hire
specialist

the

Paver People

enquiries@appavers.co.uk
www.appavers.co.uk

INDEX

Vogele

800-3i.....	2
1300-3i.....	4
1303-3i.....	6
1600-3i.....	8
1800-3i.....	10
1803-3i.....	12

Heavy Screens.....	14
Special Applications.....	16

CAT

AP555E.....	18
BB621C.....	20

Dynapac

SD2500WS.....	22
---------------	----

HAMM

10 W.....	24
14 W.....	26

BOBCAT

T590.....	28
Attachments.....	30

WIRTGEN

W100 Cfi.....	32
W100 Fi.....	34
W120 Fi.....	36
W1000L.....	38

BOMAG

BM500.....	40
------------	----

TRANSPORT

Lorries/Tippers.....	42
----------------------	----

CONVERSION TABLES.....	44
------------------------	----



Maximum paving width with AB 220 (TV) 3.5m

Practical production rate capability 300 tonnes per hr

Screeds
 AB 220 (TV) - Electrically Heating hydraulic screed
 - Tamping and Vibrating screed
 - Std. width 1.2m up to 2.2m

Engine DEUTZ diesel engine type TD 2.9 LA
 Output 55.4kW/2,200rpm

Fuel tank 80 litres

Hopper capacity 5.8 tonnes

Paving thickness up to 200mm

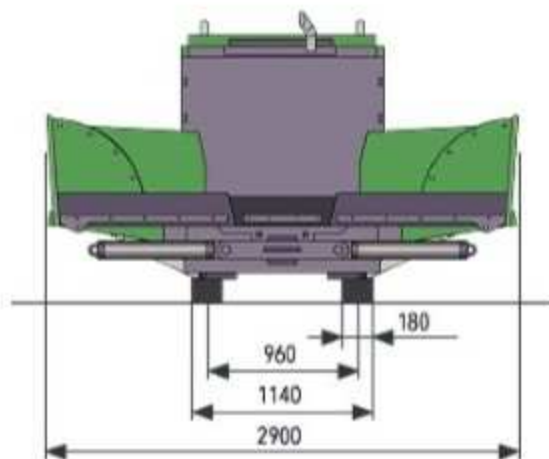
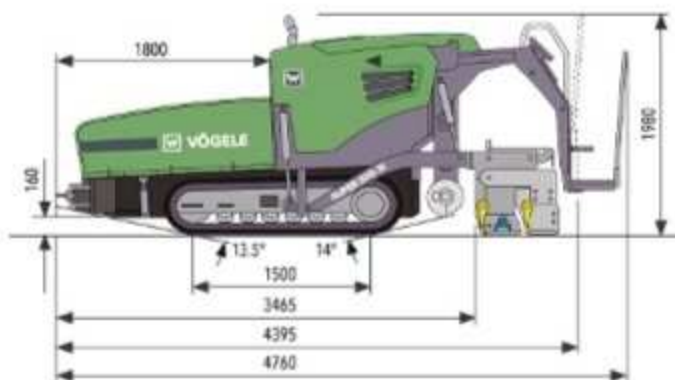
Speeds paving 0–30m/min transport 0–3.6km/h

Electrical system 24 V system

Weights: Tractor with AB 220 1.2 - 3.5m 6.6 tonnes

Super 800-3i Compact Mini Paver

The Super 800-3i is a very narrow and small paver that is capable of handling a variety of paving applications. Combined with the AB 220 Extending Screed it achieves excellent compacting results.



Call our Hire desk
01889 560920



Maximum paving width with AB 340 (TV) 5.0m

Practical production rate capability 350 tonnes per hr

Screeds
 AB 340 (TV) - Electrically Heating hydraulic screed
 - Tamping and Vibrating screed
 - Std. width 1.8m up to 3.4m

Engine DEUTZ diesel engine type TCD 3.6L4
 Output 80kW/2,000rpm

Fuel tank 110 litres

Hopper capacity 5.8 tonnes

Paving thickness up to 250mm

Speeds paving 0–30m/min transport 0–4.5km/h

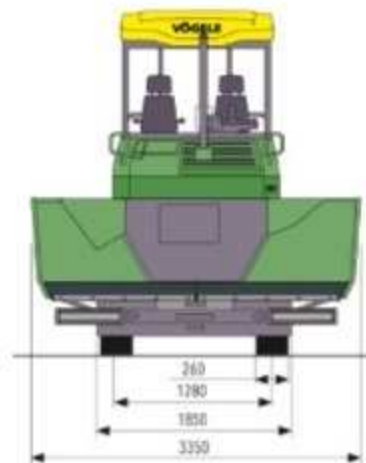
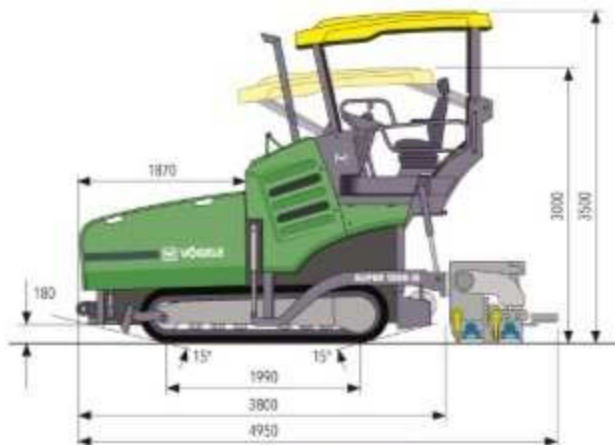
Electrical system 24 V system



Weights: Tractor with AB 340 1.8 - 5.0m 10.6 tonnes

Super 1300-3i Compact Paver

The Super 1300-3i is an extremely compact road paver that can achieve a high laydown rate, as well as offering a maximum pave width of 5m. Suitable for a wide variety of surfacing tasks, this paver has no problem negotiating anything from a footpath to a minor roadway.



Call our Hire desk
01889 560920



Maximum paving width with AB 340 (TV) 4.5m

Practical production rate capability 250 tonnes per hr

Screeds
 AB 340 (TV) - Electrically Heating hydraulic screed
 - Tamping and Vibrating screed
 - Std. width 1.8m up to 3.4m

Engine DEUTZ diesel engine type TCD 3.6L4
 Output 74.4kW/2,000rpm

Fuel tank 100 litres

Hopper capacity 10 tonnes

Paving thickness up to 200mm

Speeds paving 0–30m/min transport 0–20km/h

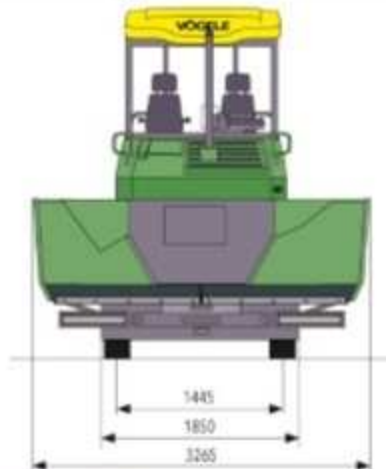
Electrical system 24 V system



Weights: Tractor with AB 340 1.8 - 3.4 m 10.2 tonnes
 1.8 - 4.5m 11 tonnes

Super 1303-3i Compact Paver

The Super 1303-3i offers extremely compact design alongside excellent manoeuvrability. The perfect paver for not only confined spaces but also medium-sized jobs thanks to the AB 340 Extending Screed reaching up to 4.5m.



Call our Hire desk
01889 560920



Maximum paving width with AB 500 (TV) 7.5m*

Practical production rate capability 600 tonnes per hr

Screeds
 AB 500 (TV) - Electrically Heating hydraulic screed
 - Tamping and Vibrating screed
 - Std. width 2.55m up to 5.0m

Engine CUMMINS diesel engine type QSB4.5 C155
 Output 116kW/2,000rpm

Fuel tank 265 litres

Hopper capacity 13 tonnes

Paving thickness up to 300mm

Speeds paving 0–24m/min transport 0–4.5km/h

Electrical system 24 V system

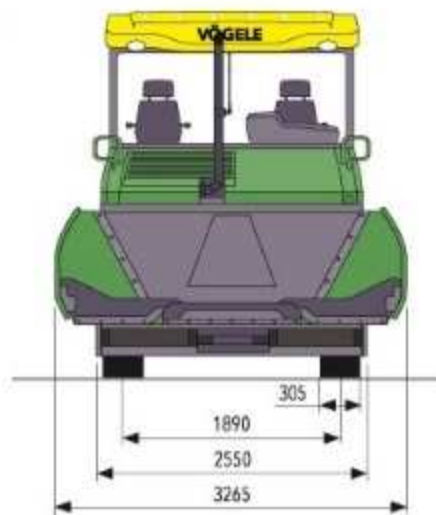
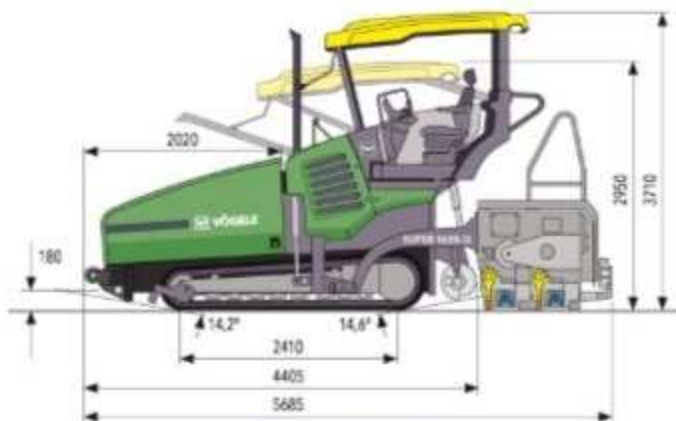


*Pave widths of 7/7.5m are possible with extra equipment.

Weights: Tractor with AB 500 2.55 - 5.0m 18.1 tonnes

Super 1600-3i Universal Paver

The Super 1600-3i offers versatility and excellent manoeuvrability. It is a particularly economical and highly efficient paver, and therefore is exceptionally powerful and reliable when it comes to handling medium to large sized jobs.



Call our Hire desk
01889 560920



Maximum paving width with AB 500 (TV) 8.5m

Practical production rate capability 700 tonnes per hr

Screeds
 AB 500 (TV) - Electrically Heating hydraulic screed
 - Tamping and Vibrating screed
 - Std. width 2.55m up to 5.0m

Engine CUMMINS diesel engine type QSB 6.7 C170
 Output 127kW/2,000rpm

Fuel tank 300 litres

Hopper capacity 13 tonnes

Paving thickness up to 300mm

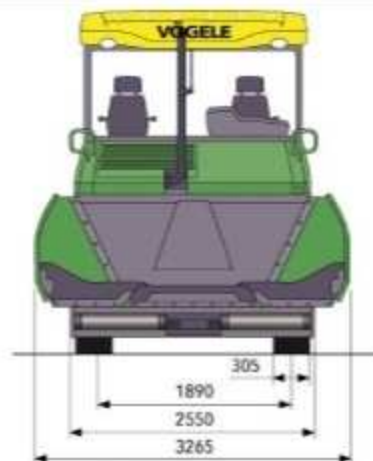
Speeds paving 0–24m/min transport 0–4.5km/h

Electrical system 24 V system

Weights: Tractor with AB 500 2.55 - 5.0m 19.4 tonnes
 2.55 - 8.5m 24.9 tonnes

Super 1800-3i Universal Paver

The Super 1800-3i is the most powerful tracked paver in its performance class. Perfectly capable of handling a wide variety of sites from tricky roundabouts to motorways with ease - due to an increased field of application this paver is also ideal for laying roller compacted concrete.



Call our Hire desk
01889 560920



Maximum paving width with AB 500 (TV) 8.0m

Practical production rate capability 700 tonnes per hr

Screeds
 AB 500 (TV) - Electrically Heating hydraulic screed
 - Tamping and Vibrating screed
 - Std. width 2.55m up to 5.0m

Engine CUMMINS diesel engine type QSB6.7-C170
 Output 127kW/2,000rpm

Fuel tank 220 litres

Hopper capacity 13 tonnes

Paving thickness up to 300mm

Speeds paving 0–18m/min transport 0–20km/h

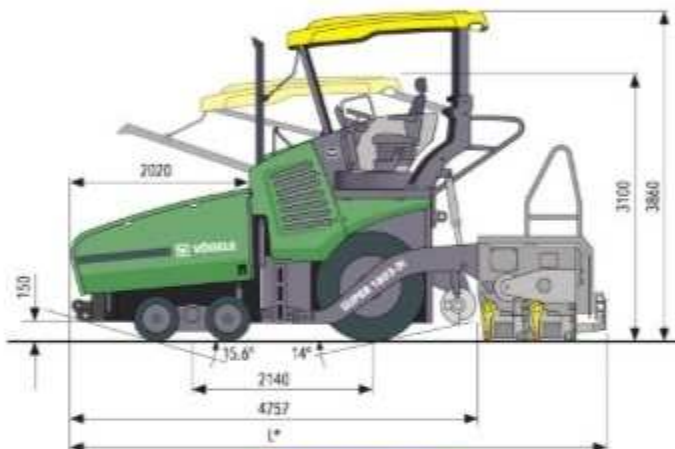
Electrical system 24 V system



Weights: Tractor with AB 500 2.55 - 5.0m 17.8 tonnes
 2.55 - 8.5m 20.3 tonnes

Super 1803-3i Universal Paver

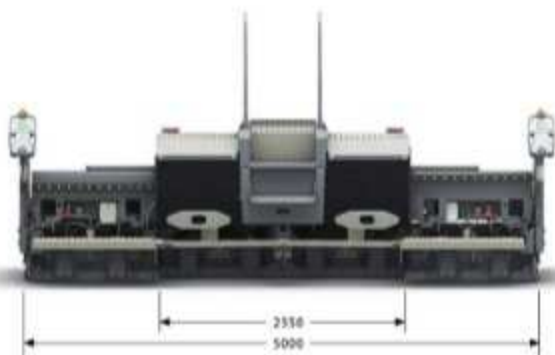
The Super 1803-3i is the most powerful wheeled paver in its class. Offering excellent mobility and reliable material handling, alongside a maximum pave width of 8m, this paver really is top class.



Call our Hire desk
01889 560920

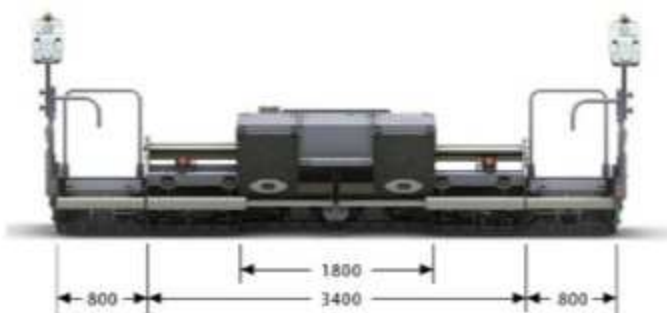


AB 500 Extending Screed TP2



Pave Width	2.55m - 8.5m
Basic Width	2.55m
Depth	1.41m
Weights	3.9 tonnes
Tamper	Tamper speed up to 1800rpm Stroke adjustable to 2mm, 4mm, 7mm
Pressure bars:	- Driven by pulsed-flow hydraulics - Impulse recurrence frequency 68Hz - Hydraulic oil pressure up to 120 bar
Vibrators:	- Eccentric vibrators - Frequency up to 50 Hz

AB 340 Extending Screed



Pave Width	0.75m - 5m
Basic Width	1.8m
Depth	1.1m
Weights	1.55 tonnes
Tamper	Tamper speed up to 1700rpm Tamper stroke 4mm
Vibrators:	- Eccentric Vibrators - Frequency up to 50 Hz



RCC, GSB, HDM & HBM

The increasing popularity of roller compacted concrete has led to a need to develop the ways in which it is laid.

Based on a cementitious alternative to bitumen and with the latest additives and technology, RCC could in future have a major impact on the design of roads—not only is it cost effective, but is also long lasting.



AP Pavers have the ability to lay RCC through our Voegle Machines equipped with the AB500 TP2 Screed.

Thanks to its unique single-tube telescoping system for infinite variation of pave width, it is ideal for a wide field of applications. The screed extends hydraulically from 2.55m to 5m and builds up with bolt-on extensions to a maximum width of 8.5m.

The AB500 can be equipped with tamper and vibrators or as a high compaction screed with tamper one or two pressure bars.

The TP1 pressure bars that AP provide are best suited to laying granular subbase (GSB), heavy duty macadam's (HDM) and hydraulically bound materials (HBM).



For use with the 1300-3i and 1303-3i, the AB340 Extending Screed is available in TV version, (with tamper and vibrators), compacting systems have also already been installed across the full screed width.

Due to the screeds we have being compatible with all our Voegle tractor units, it is possible to complete almost any job!

Call our Hire desk
01889 560920



Maximum paving width with AS4252C 5.0m

Practical production rate capability 700 tonnes per hr

Screeds
AS4252C - Electrically Heating hydraulic screed
- Tamping and Vibrating screed
- Std. width 2.55m up to 5.0m

Engine CAT C4.4 with ACERT
106 kW Output

Fuel tank 227.3 litres

Hopper capacity 13 tonnes

Paving thickness up to 300mm

Speeds paving 0–60m/min transport 0–11km/h

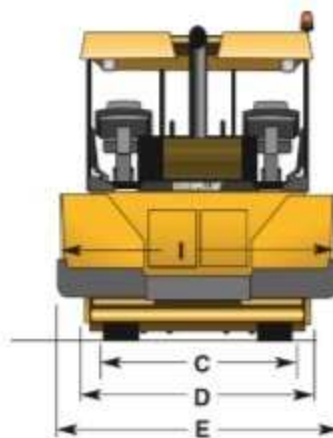
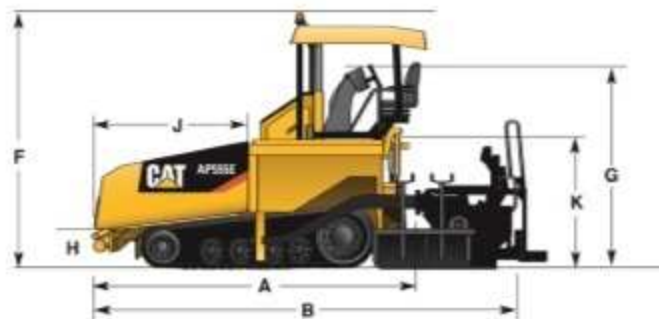
Electrical system 24 V system



Weights: Tractor with AS4252C 2.55 - 5.0m 18.4 tonnes

CAT AP555E Paver

The CAT AP 555E provides all the technology and capabilities of a large asphalt paver in a smaller more mobile size. It excels in a wide range of applications from routine commercial jobs to larger highway operations.



Dimensions

A	4.38m
B	5.75m
C	2.22m
D	2.72m
E	3.31m
F	3.84m
G	2.82m
H	576mm
I	3.2m
J	1.96m
K	1.78m



Maximum paving width with RB 260 Screed 3.0m

Practical production rate capability 80 tonnes per hr

Screeds
AS4252C - Gas Heating hydraulic screed
- Vibrating screed
- Std. width 1.4m up to 2.6m

Engine Hatz 2M 41L Diesel engine
26.4kW Output

Fuel tank 69 litres

Hopper capacity 6 tonnes

Paving thickness up to 200mm

Speeds paving 0–20m/min transport 0–3.5km/h

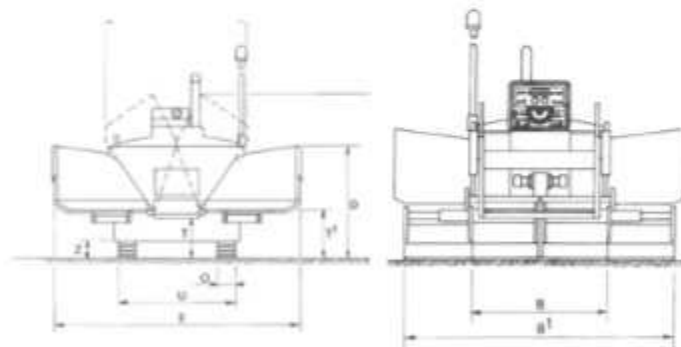
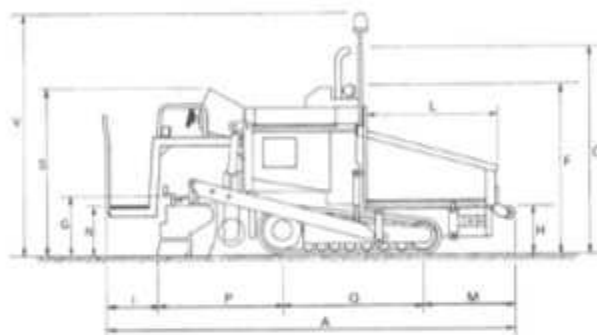
Electrical system 12 V system



Weights: Tractor with RB 260 1.4 - 2.6m 4.0 tonnes

BB621 Mini Paver

The BB621C is a small production paver ideally suited to applications in confined spaces where high mobility is required and best quality counts. Low profile and 0.7m turning radius gives the BB621C unmatched manoeuvrability in tight corners and big production on larger jobs such as haunching works and car parks.



Dimension	A	B	C	D	E	F	G	H	I	J	K	L	M	N	O	P	Q	R	S	T	U	V	W	X	Y	Z
mm	2000	1000	1000	1000	1000	1000	1000	1000	1000	1000	1000	1000	1000	1000	1000	1000	1000	1000	1000	1000	1000	1000	1000	1000	1000	1000
mm	2000	1000	1000	1000	1000	1000	1000	1000	1000	1000	1000	1000	1000	1000	1000	1000	1000	1000	1000	1000	1000	1000	1000	1000	1000	1000

Call our Hire desk
01889 560920



Maximum paving width with V5100 TV Screed 5.0m

Practical production rate capability 80 tonnes per hr

Screeds
AS4252C - Electrically heating hydraulic screed
- Tamping and Vibrating screed
- Std. width 2.55m up to 5.0m

Engine CUMMINS QSB 6.7 - C173
Output 129kW/2,200rpm

Fuel tank 315 litres

Hopper capacity 15 tonnes

Paving thickness up to 300mm

Speeds paving 0–30m/min transport 0–20km/h

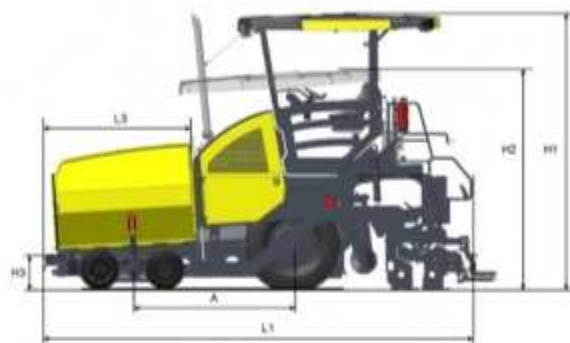
Electrical system 24 V system



Weights: Tractor with RB 260 2.55 - 5.0m 18 tonnes

Dynapac SD2500WS Paver

The 6-wheel driven SD2500WS provides the perfect combination of precision and power due to its extra wide tyres for excellent ground contact and outstanding traction. High performance braking system ensures maximum safety.



Dimensions

A	2241mm
B1	3250mm
B2	2550mm
B3	2053mm
H1	3900mm
H2	3100mm
H3	493mm
L1	6100mm
L3	2123mm
W	302mm

Call our Hire desk
01889 560920



Total height with ROPS 2390mm

Total length 2460mm

Features:

- 3 point articulated steering
- Vibration-isolated operators platform
- Hydrostatic steering

Engine KUBOTA D1503
Output 22.9kW/2,700rpm

Fuel tank 42 litres

Drum Width 1000mm

Turning radius 2470mm

Speed 0 - 12 km/h

Climbing Ability 30-40% Vibration On/Off



Maximum Operating Weight 3190kg

HAMM 10 W

Tandem roller with two vibrating roller drums. Optimum front view due to concaving front end including an ergonomic drivers platform. Not only is maintenance and Service convenient, the 10 W also features 3-point swivel joint for optimum driving comfort.



TECHNICAL DATA		10W	10 VV
1 Weights			
Operating weight with ROPS	kg	2475	
Operating weight, max.	kg	3190	
Ballast (max. load) front/rear	kg/ton	12/1102.7	
2 Machine dimensions			
Foot height	mm	340	
Foot height with ROPS	mm	2080	
Height loading, max.	mm	1750	
Track width	mm	1110	
Wheel base	mm	1700	
Min. working width	mm	1050	
Ground clearance, all-ways	mm	273/270	
Turning radius, inside	mm	2470	
3 Drive dimensions			
Drive shaft, front/rear	mm	1000/800	
Drive sprocket, front/rear	mm	520/120	
Drive sprocket, front/rear	mm	10/10	
Drive type, front		elastic/chain-drive	
Drive type, rear		elastic/chain-drive	
Track offset, all-ways	mm	0/0	

Call our Hire desk
01889 560920



Total height with ROPS 2590mm

Total length 2860mm

Features:

- 3 point swivel joint
- Ergonomic operators platform
- Low machine height

Engine KUBOTA V2203
Output 34.6kW/2,700rpm

Fuel tank 73 litres

Drum Width 1380mm

Turning radius 2650mm

Speed 0 - 11 km/h

Climbing Ability 30-40% Vibration On/Off



Maximum Operating Weight 4345kg

HAMM 14 VV

Tandem roller with two vibrating roller drums. Optimum front view due to concaving front end including an ergonomic drivers platform. Not only is maintenance and Service convenient, the 14 VV also features 3-point swivel joint for optimum driving comfort.



TECHNICAL DATA	14VW	14 VV
Weights		
Operating weight with ROPS	kg	4345
Operating weight max	kg	5300
Empty front load Platform	kg/cm	15.8/15.7
Machine dimensions		
Total length	mm	2860
Total length with ROPS	mm	2990
Height loading max	mm	2590
Total width	mm	1380
Wheelbase	mm	1960
Min working width	mm	1320
Ground clearance, all-ways	mm	232/158
Turning radius, max	mm	2650
Drum dimensions		
Drum width, front/rear	mm	1380/1380
Drum diameter, front/rear	mm	900/900
Drum thickness, front/rear	mm	13/13
Drum type, front		smooth/ribbed/ribbed
Drum type, rear		smooth/ribbed/ribbed
Track offset, all-ways	mm	0/0
Steel engine		
Manufacturer		KUBOTA
Version		V2203
Number of cylinders		4
Power (at 2000 rpm, ISO/CEC)		34.6/13.7/18
Power (at 2000 rpm, ISO/CEC)		46.8/17.7/24
Engine speed (rpm)		2700
Drive		
Speed, maximum variable	km/h	0 - 11.2
Climbing ability, vibration on/off	%	30/40

Call our Hire desk
01889 560920



Total length 3378mm

Total Width 1702mm

Key features:

- Superior Lift Arms
- Smart cooling
- Durable track system
- Large range of attachments

Engine BOBCAT 2.4L
Output 49.2kW

Fuel tank 166 litres

Rated Operating capacity 953kg

Speeds Travel Speed 0-7.1mph

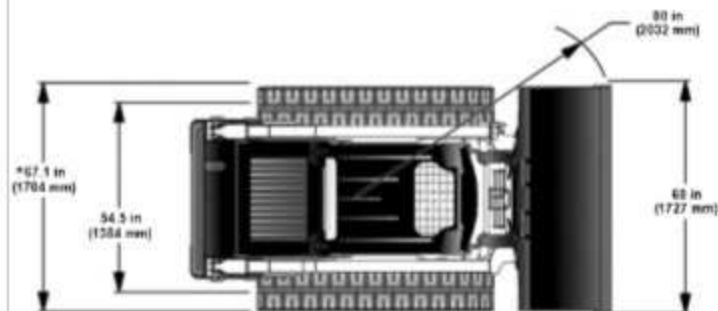
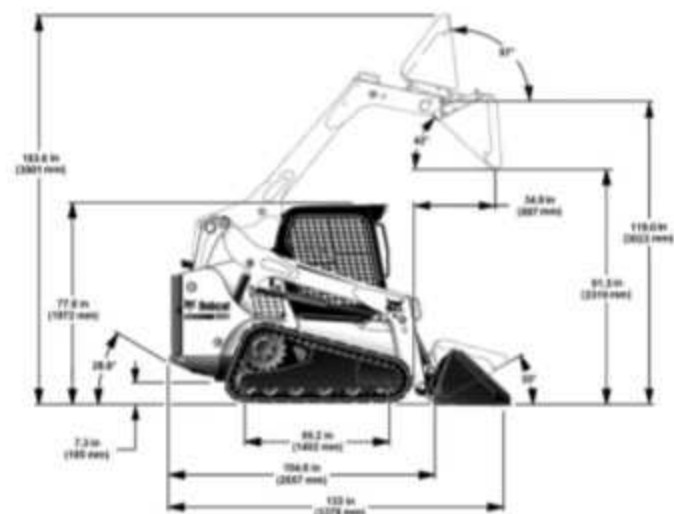
Turning radius 2032mm



Operating weight 3.5 tonnes

BOBCAT T590

The Bobcat T590 is the ideal compact track loader for loading and unloading tasks. The Tier 4, vertical lift is ideal for tasks where space is limited but the need for maximum lift height is necessary.



Call our Hire desk
01889 560920



The planer attachment is a fantastic low-maintenance attachment that can mill both asphalt and concrete. Driven by a high torque hydraulic motor, the planer is self-levelling which ensures constant planing depth.

The sweeper attachment is the perfect tool for sweeping, collecting and dumping any dirt or debris. Cleaning of all types of roadways, car parks etc. is easy due to the optional gutter brush being able to access hard to reach areas.

The combination bucket has the ability to do a wide variety of jobs. The bucket is reinforced so is perfect for not only small jobs but also heavy-duty tasks.

The precision laser grader is a tripod mounted laser with transmitters that guide the grader. The lasers receive pick up the beam from the transmitters and automatically adjust the grading blade for maximum accuracy. Not only fast and reliable, but achieves a high quality finish due to the height being accurate to within 6mm and the slopes are accurate to within 0.01%.



Call our Hire desk
01889 560920

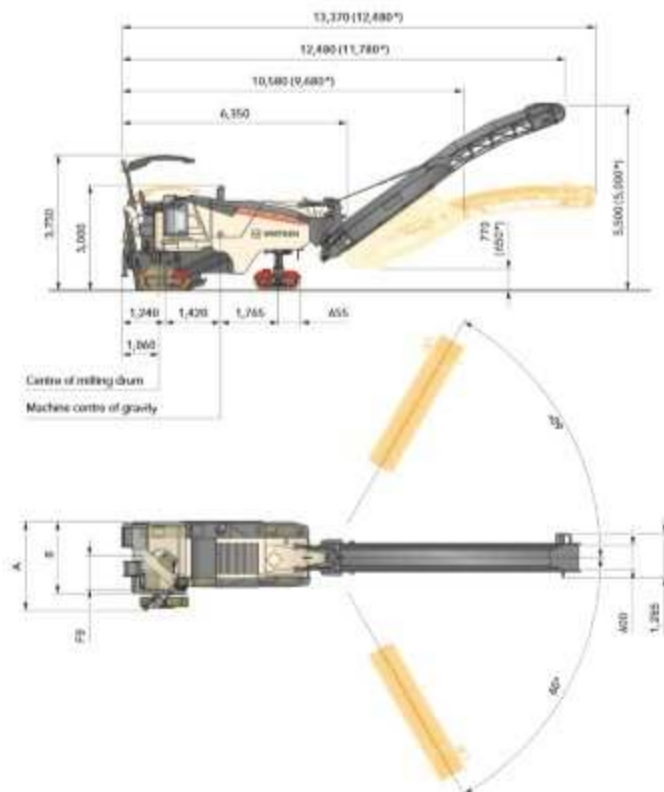


Maximum milling depth	upto 330mm
Maximum milling width	1000 mm
Speed	Milling 0-85m/min Transport 0-125m/min
Engine	CUMMINS QSL 9 Output 257kW
Fuel tank	610 litres
Water tank	1400 litres
Operating weight	18.9 tonnes
Conveyor	650mm
Theoretical conveyor belt capacity	176m ³ /hr
Electrical system	24 V system



Wirtgen W100 CFI

Compact front loader in the 1-meter-class with outstanding productivity and a sophisticated vision concept. The milling drum unit comes with useful automatic features and operation of the machine is easy and intuitive. Any potential for wear and tear is reduced to a minimum while precise milling results are guaranteed.



Call our Hire desk
01889 560920

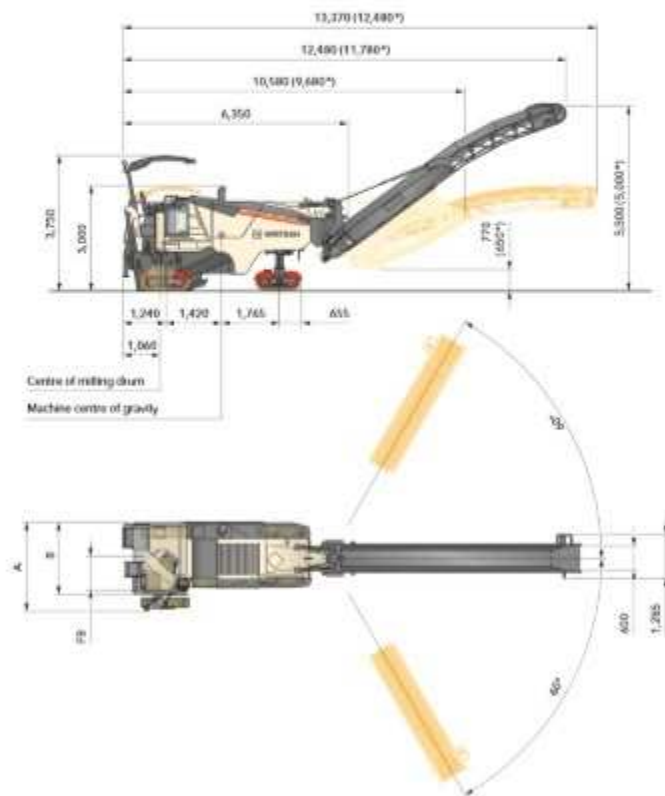


Maximum milling depth	upto 330mm
Maximum milling width	1000 mm
Speed	Milling 0-85m/min Transport 0-125m/min
Engine	CUMMINS QSL 9 Output 257kW
Fuel tank	610 litres
Water tank	1400 litres
Operating weight	18.9 tonnes
Conveyor	650mm
Theoretical conveyor belt capacity	176m ³ /hr
Electrical system	24 V system



Wirtgen W100 CFI

Compact front loader in the 1-meter-class with outstanding productivity and a sophisticated vision concept. The milling drum unit comes with useful automatic features and operation of the machine is easy and intuitive. Any potential for wear and tear is reduced to a minimum while precise milling results are guaranteed.



Call our Hire desk
01889 560920



Maximum milling width 1000mm

Maximum milling depth upto 320mm

Speed Milling gear 0-32m/min
Transport gear 0-125m/min

Engine CUMMINS QSL 9
Output 227kW

Fuel tank 610 litres

Water tank 1340 litres

Operating weight 18.5 tonnes

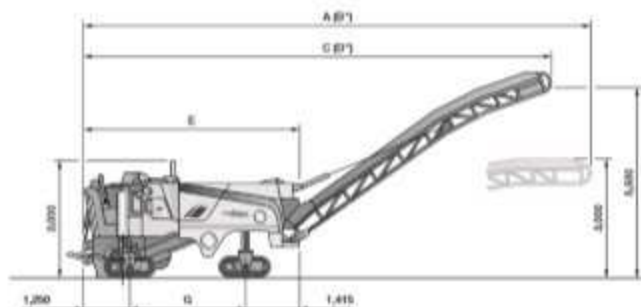
Conveyor 650mm
Theoretical capacity of discharge conveyor 176m³/h

Electrical system 24 V



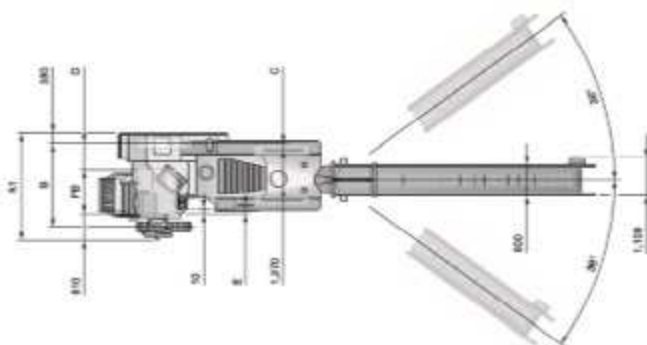
Wirtgen W100 Fi

The 6-wheel driven SD2500WS provides the perfect combination of precision and power due to its extra wide tyres for excellent ground contact and outstanding traction. High performance braking system ensures maximum safety.



W 100 Fi, W 100 Fi, W 100 Fi								W 100 Fi, W 100 Fi, W 100 Fi							
A	B*	C	D*	E	F	G	H	A	B*	C	D*	E	F	G	
13,450	12,550	12,850	11,750	5,700	3,215	3,095	13,800	12,700	13,000	11,900	5,800	3,365	3,185	14,150	

* = Folding conveyor shaft



Call our Hire desk
01889 560920

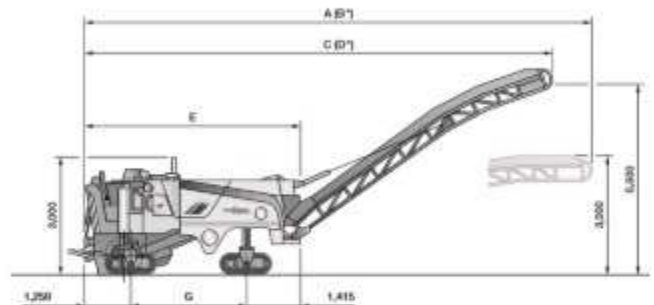


Maximum milling width	1200mm	
Maximum milling depth	upto 320mm	
Speed	Milling gear	0-32m/min
	Transport gear	0-125m/min
Engine	CUMMINS QSL 9 Output 227kW	
Fuel tank	610 litres	
Water tank	1340 litres	
Operating weight	19.4 tonnes	
Conveyor	650mm	
Theoretical capacity of discharge conveyor	176m ³ /h	
Electrical system	24 V	



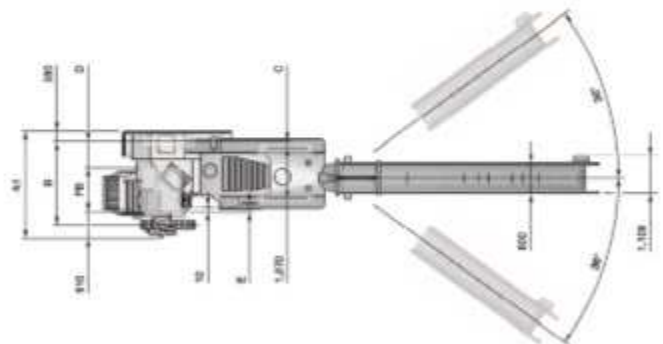
Wirtgen W120 Fi

A powerful cold milling machine, suitable for rehabilitating large areas of for removing asphalt layers at full depth.



W 100 F, W 100 E, W 100 F							W 100 FL, W 100 FL, W 100 FI						
A	B*	C	D*	E	F	G	A	B*	C	D*	E	F	G
13,650	12,550	12,650	11,750	3,700	3,215	3,305	13,600	12,700	12,800	11,900	3,850	3,365	3,185

* = Folding conveyor
short



Call our Hire desk
01889 560920



Maximum milling width 1000mm

Maximum milling depth upto 250mm

Speed Milling gear 0-32m/min
Transport gear 0-7.5km/hr

Engine KND Deutz diesel engine
BF 6M 1013

Fuel tank 240 litres

Water tank 425 litres

Operating weight 12 tonnes

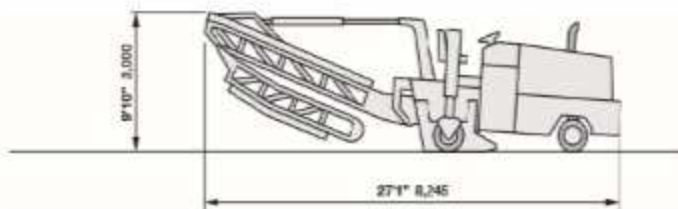
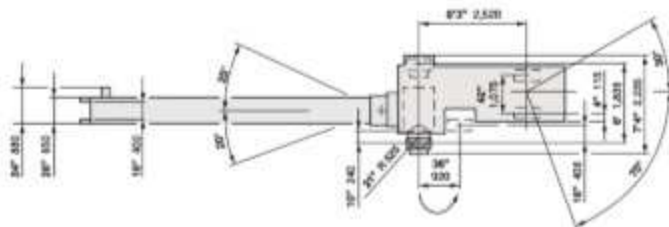
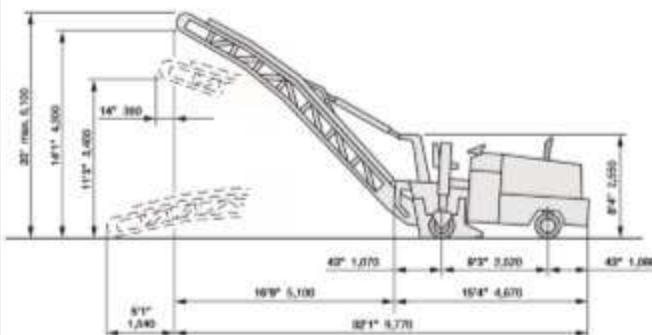
Conveyor 400mm
Theoretical capacity of discharge conveyor 60m³/h

Electrical system 24 V



Wirtgen W1000 L

A high performance cold milling machine for pavement rehabilitation of medium and large areas. Large capacities of water and diesel tanks reduce organisational requirements on the site.



Call our Hire desk
01889 560920

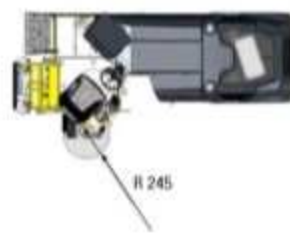
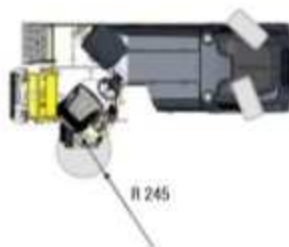
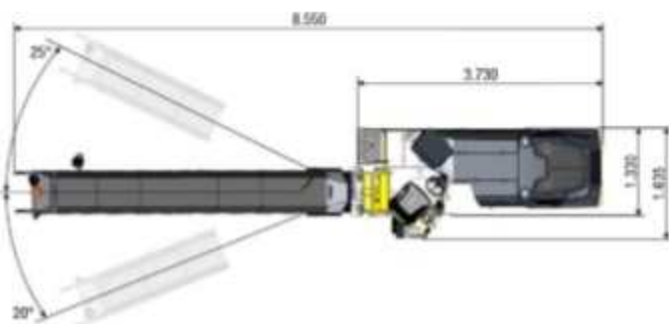
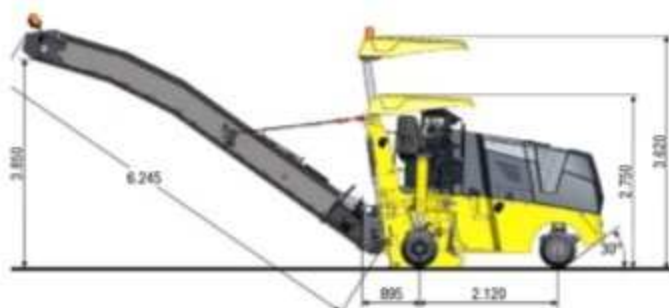


Maximum milling width		500mm
Maximum milling depth		upto 210mm
Speed	Milling gear Transport gear	0-80m/min 0-6km/hr
Engine		Deutz diesel engine TCD 2012 Output 105kW
Fuel tank		230 litres
Water tank		600 litres
Operating weight		7.7 tonnes
Electrical system		24 V



BOMAG BM500

A highly manoeuvrable small milling machine. Perfect for repair jobs on existing pavements, car parks or small carriageways.



Call our Hire desk
01889 560920



AP Pavers knows transport inside out. We operate 24 hours a day, 365 days a year with an elite fleet of tippers and low-loaders.

Being so centrally based, in the heart of Staffordshire, means that we can easily distribute our machinery across the country at a moments notice and still arrive in good time.



Our vehicles are all new and are kept to the highest standards to ensure not only safety but also comfort for our drivers.

We pride ourselves in only using the best, which is why we only use Volvo and Mercedes trucks and trailers direct from the most reputable dealers that we trust.



AP Pavers not only provide excellent machines and excellent operators, our haulage is also second to none. No stone is left unturned, and we are more than happy to go above and beyond to provide machines at a moments notice to complete your job to the very highest of standards.

Call our Hire desk
01889 560920

CONVERSION TABLES



Nationwide

Thickness (mm)	Approx Equivalent (in)	Asphalt & Dense (sqm/tonne)	Open Macadams (sqm/tonne)
7	1/4"	41.81	41.81
12		31.36	31.36
13	1/2"	28.94	28.94
14		29.12	29.12
15		27.18	27.18
16		25.48	25.48
17		23.98	23.98
18		22.65	22.65
19	3/4"	21.45	20.75
20		20.38	19.54
24		18.29	19.16
25	1"	17.55	18.40
25	1"	16.72	
26		16.88	17.69
26		16.08	
29		15.14	17.30
30		14.63	16.72
31		14.16	16.18
32	1 1/4"	13.72	15.68
33		13.30	15.20
34		12.91	14.76
35		12.54	14.33
36		12.19	13.94
37		11.86	13.56
38	1 1/2"	11.55	13.20
38		11.96	
39		11.26	12.86
39		11.66	
40		10.97	12.54

Thickness (mm)	Approx Equivalent (in)	Asphalt & Dense (sqm/tonne)	Open Macadams (sqm/tonne)
40		11.37	
41		10.71	12.24
42		10.45	11.95
43		10.21	11.67
44	1 3/4"	9.98	11.4
45		9.75	11.15
46		9.54	10.91
47		9.34	10.67
48		9.14	10.45
49		8.96	10.24
50		8.77	10.03
51	2"	8.61	9.84
52		8.44	9.65
53		8.28	9.47
54		8.13	9.29
55		7.98	9.12
56		7.84	8.96
57	2 1/4"	7.70	8.80
58		7.57	8.65
59		7.44	8.50
60		7.31	8.36
61		7.20	8.22
62		7.08	8.09
63	2 1/2"	6.97	7.96
63		6.84	
64	2 1/2"	6.86	7.84
64		6.74	
65		6.75	7.72
65		6.63	

CONVERSION TABLES



Nationwide

Thickness (mm)	Approx Equivalent (in)	Asphalt & Dense (sqm/tonne)	Open Macadams (sqm/tonne)
66		6.65	7.6
67		6.55	7.49
68		6.46	7.38
69		6.36	7.27
70	2 3/4"	6.27	7.17
71		6.18	7.07
72		6.10	6.97
73		6.01	6.87
74		5.93	6.78
75	3"	5.85	6.69
75		5.75	
76		5.78	6.60
76		5.67	
77		5.70	6.52
77		5.60	
80		5.48	6.27
81		5.42	
82		5.35	
83	3 1/4"	5.29	
85		5.16	5.90
89	3 1/2"	4.93	
90		4.87	
95	3 3/4"	4.62	
96		4.57	
100		4.38	
101		4.35	
102	4"	4.30	
127	5"	3.46	
130		3.38	

Thickness (mm)	Approx Equivalent (in)	Asphalt & Dense (sqm/tonne)
150		2.92
152		2.89
153		2.87
175		2.50
177		2.48
178	7"	2.47
180		2.44
200		2.19
203	8"	2.16
204		2.15
Thickness (mm)	Approx Equivalent (in)	Hardcore & Stone (sqm/tonne)
25	1"	20.1
38	1 1/2"	15.1
50	2"	11.7
64	2 1/2"	10
75	3"	8.8
100	4"	5.8
125	5"	5
150	6"	3.3
175	7"	2.8
200	8"	2.5
225	9"	2.1
250	10"	2
275	11"	1.8
300	12"	1.6





hire

01889

560920



Paver House
Dovefields Industrial Estate
Dove Road
Uttoxeter
ST14 8HU